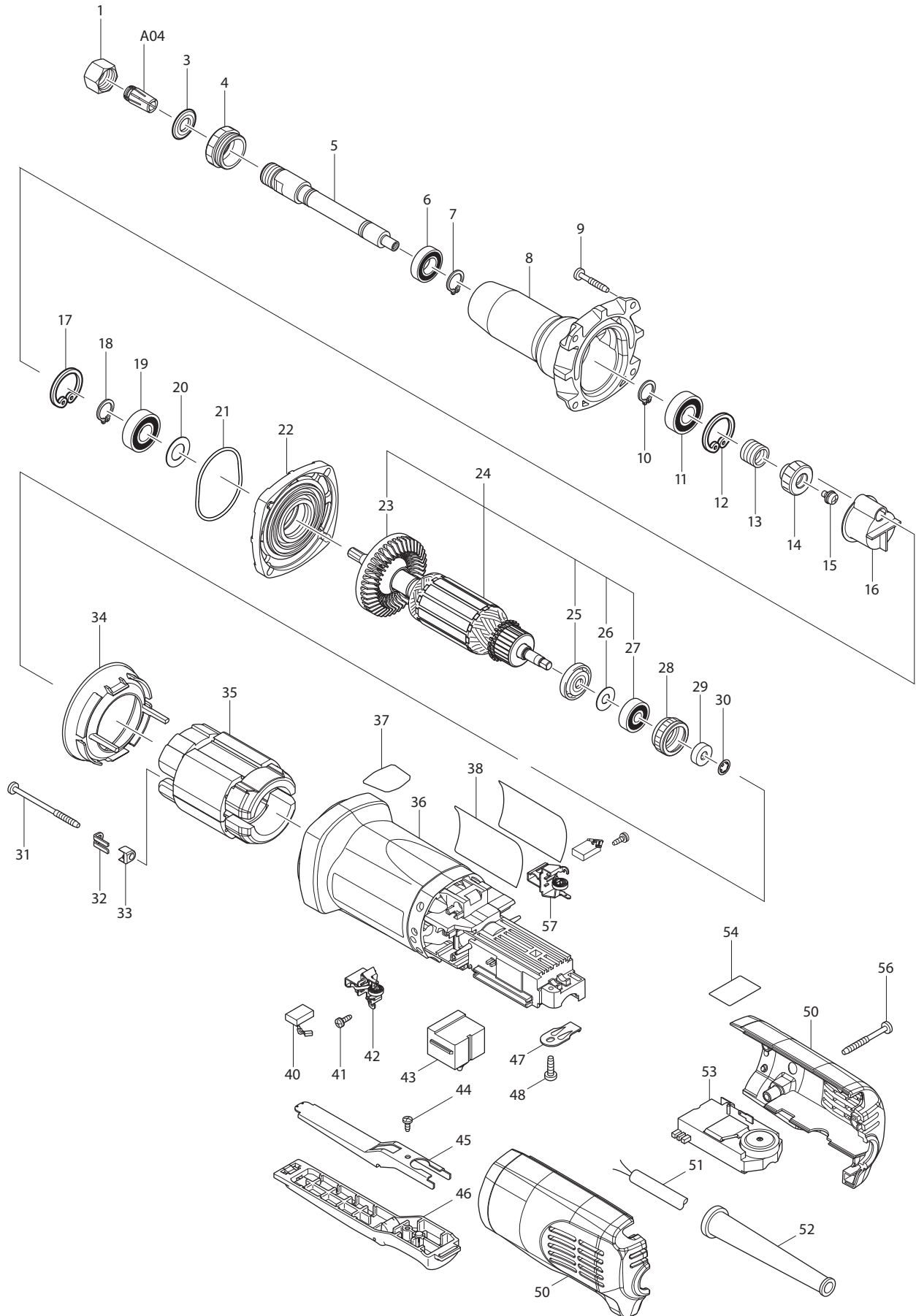




07 - 2014

GD0811C

1/4" DIE GRINDER (LOW SPEED)



Item No.	Type	Ref	Part No.	Description	Qty	Unit
001			763645-2	COLLET NUT	1	PC.
003			213209-7	OIL SEAL 16	1	PC.
004			285700-5	BEARING RETAINER	1	PC.
005			324042-3	SPINDLE	1	PC.
006			211141-9	BALL BEARING 6901LLB	1	PC.
007			961052-5	RETAINING RING S-12	1	PC.
008			317369-8	BARREL	1	PC.
009			265999-8	TAPPING SCREW 4X25	4	PC.
010			961052-5	RETAINING RING S-12	1	PC.
011			211148-5	BALL BEARING 6001ZZ	1	PC.
012			962106-1	RETAINING RING R-28	1	PC.
013			233901-9	LOCK SPRING 12	1	PC.
014			226531-3	HELICAL GEAR 25	1	PC.
015			265082-1	PAN HEAD SCREW M4X8	1	PC.
016			417363-1	GEAR COVER	1	PC.
017			962106-1	RETAINING RING R-28	1	PC.
018			961052-5	RETAINING RING S-12	1	PC.
019			211148-5	BALL BEARING 6001ZZ	1	PC.
020			253084-9	FLAT WASHER 12	1	PC.
021			213611-4	O RING 46	1	PC.
022			317367-2	BEARING BOX	1	PC.
023			240036-9	FAN 57	1	PC.
024	1		515401-4	ARMATURE ASS'Y 115V	1	PC.
		INC.		Item No. 23,25-27		
	2		510301-3	ARMATURE ASS'Y 115V	1	PC.
		INC.		Item No. 23,25-27		
025			681656-4	INSULATION WASHER	1	PC.
026			253823-7	FLAT WASHER 7	1	PC.
027	2		210045-2	BALL BEARING 627DDW	1	PC.
028			421770-2	LABYRINTH RUBBER RING 22	1	PC.
029			688117-5	MAGNET SLEEVE	1	PC.
030			259039-2	SELF LOCK 6	1	PC.
031			266259-1	TAPPING SCREW 4X60	2	PC.
032			344871-8	RETAINER	2	PC.
033			417237-6	INSULATION COVER	2	PC.
034			455367-5	BAFFLE PLATE	1	PC.
035			628115-7	FIELD 115V	1	PC.
036			142898-0	MOTOR HOUSING COMPLETE	1	PC.
		INC.	804Y05-0	CAUTION LABEL	1	PC.
		INC.	810341-4	CAUTION LABEL EN/FR/SP	1	PC.
037			813900-3	SJS MARK LABEL	1	PC.
038			850F33-9	NAME PLATE F/GD0811C	1	PC.
040			196454-8	AC CARBON BRUSH CB-340 2PC/SET	1	SET
041			266256-7	TAPPING SCREW PT3X10	4	PC.
042			643760-7	BRUSH HOLDER	1	PC.
043			650579-7	SWITCH 1246.3223, SINGLE	1	PC.
044			265954-0	TAPPING SCREW BIND PT3X8	1	PC.
045			345504-8	PLATE	1	PC.
046			154584-1	SWITCH LEVER B COMPLETE	1	PC.
047			687169-3	STRAIN RELIEF	1	PC.
048			266385-6	TAPPING SCREW 4X14	1	PC.
050	1		188365-1	* REAR COVER SET	1	SET
	2		183U29-8	* REAR COVER SET	1	SET
051			664064-4	CORD W/PLUG 2P-18-2.5M SJ	1	PC.
052			682559-5	CORD GUARD 8	1	PC.
053			620339-1	CONTROLLER	1	PC.
054			804Y16-5	INDICATION LABEL	1	
056			266048-4	TAPPING SCREW 4X40	3	PC.
057			643760-7	BRUSH HOLDER	1	PC.
D01			652044-2	+BIND SCREW M3.5X5.0	2	PC.
D02			654285-6	RECEPTACLE	2	PC.
D04			654117-7	INSULATING TERMINAL	2	PC.

Item No.	Type Ref	Part No.	Description	Qty	Unit
ACCESSORIES					
- See catalogue or visit www.makita.ca for more optional accessories -					
A01		192985-5	SIDE HANDLE SET	1	PC.
	INC.	153503-4	GRIP 36 COMPLETE	1	PC.
	INC.	415485-1	GRIP BASE	1	PC.
	INC.	921919-9	HEX. BOLT M8X110	1	PC.
A02		781203-2	WRENCH 13	1	PC.
A03		781206-6	WRENCH 19	1	PC.
A04		192986-3	COLLET CONE 1/4"	1	PC.
	INC.		Item No. 1		
A05		192987-1	COLLET CONE 1/8"	1	PC.
	INC.		Item No. 1		
A06		193012-1	COLLET CONE 6MM	1	PC.
	INC.		Item No. 1		
A07		193141-0	VICE HOLDER SET	1	PC.
A08		---	CARBIDE BURRS		

SERVICE CHANGES

1. Changes on Rear Cover Set

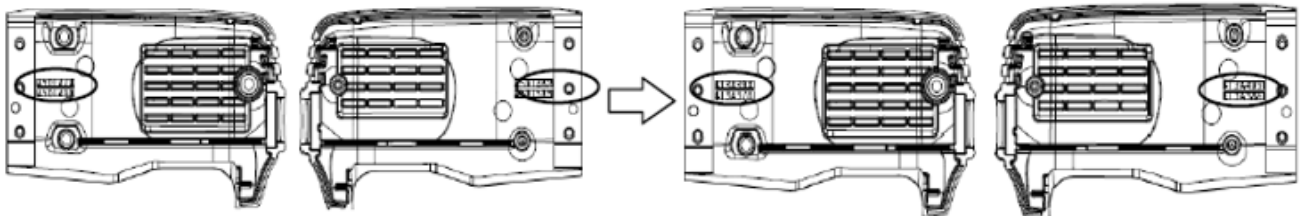
(T/I#DB563)

Item No.	Description	Type 1	Type 2
050	REAR COVER SET	188365-1	183U29-8

The current parts in stock can be used until May 2023.

The use of the current parts will be prohibited from June 2023 due to the revised standard.

[1] 9564PCV, 9565PCV, 9566PCV, GD0801C, GD0811C



The side thickness of Rear cover will be slightly increased and the molded numbers designated in circles will be changed to distinguish the new from the current.